



General Description

The AFE1025Q is a 2-channel ultra low capacitance rail clamp ESD protection diodes array. Each channel consists of a pair of ESD diodes that steer positive or negative ESD current respectively positive or negative rail. And the capacitance of channel to ground is 1.2pF. A zener diode is integrated in the array between the positive and negative supply rails. In the typical applications, the negative rail pin is connected with the ground of the circuit protected. Thus, the positive ESD current is steered to the ground through the internal zener diode to protect the power supply of the circuit protected. AFE1025Q is ideal to protect high speed data lines.

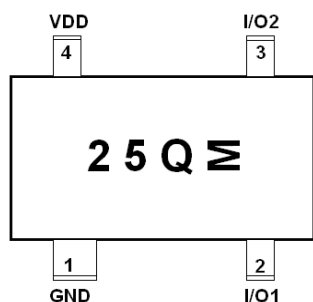
Features

- 2-channel ESD protection
- Provide ESD protection meeting IEC61000-4-2(ESD)
 - ±15 KV air discharge
 - ±10 KV contact discharge
- Super low capacitance between input and ground is no more than 1.4 pF
- Capacitance between I/O pins is no more than 0.7pF
- Low clamping voltage
- 5V low operating voltage
- Reliable silicon device avalanche breakdown structure
- Optimized package for easy high speed data lines PCB layout

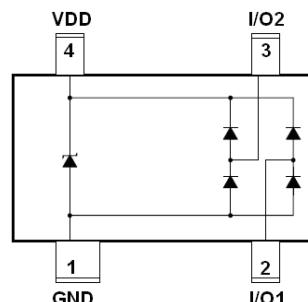
Application

- USB 2.0 Power and Data Line Protection
- Monitors and Flat Panel Displays
- Digital Visual Interface (DVI)
- 10/100/1000 Ethernet
- Video Graphics Cards
- Set-top box

Pin Description (SOT-143)



Schematic & PIN Configuration(SOT-143)



Ordering Information

Part Ordering No.	Part Marking	Package	Unit	Quantity
AFE1025QS14RG	25QM	SOT-143	Tape & Reel	3000 EA

- ※ 25Q Parts Code
- ※ M Month Code
- ※ AFE1025QS14RG : 7" Tape & Reel ; Pb- Free ; Halogen- Free



ABSOLUTE MAXIMUM RATINGS

(T_A=25°C Unless otherwise noted)

Parameter	Symbol	Typical	Unit
Peak Pulse Power (t _p = 8/20 μs)	P _{pk}	150	W
Peak Pulse Current (t _p = 8/20 μs)	I _{PP}	5	A
ESD per IEC 61000 – 4 – 2 (Air)	V _{ESD1}	±15	KV
ESD per IEC 61000 – 4 – 2 (Contact)	V _{ESD2}	±12	KV
Operating Junction Temperature	T _J	-55 ~ 125	°C
Storage Temperature Range	T _{STG}	-55 ~ 150	°C

ELECTRICAL CHARACTERISTICS

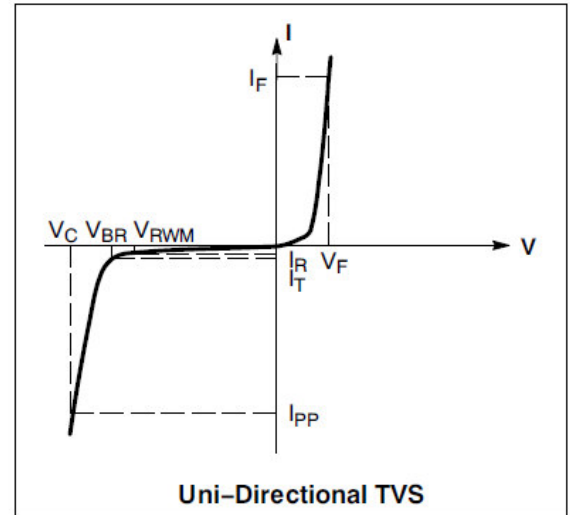
(T_A=25°C Unless otherwise noted)

Parameter	Symbol	Conditions	Min.	Typ	Max.	Unit
Reverse Working Voltage	V _{RWM}	Any Pin to GND			5	V
Forward Voltage	V _F	I _F = 10mA	0.4	0.8	1.5	V
Reverse Breakdown Voltage	V _{BR}	I _t = 1mA Any Pin to GND	6			V
Reverse Leakage Current	I _R	V _{RWM} = 5V , T=25°C Any Pin to GND		0.03	1	μA
Positive Clamping Voltage	V _{C1}	I _{PP} = 1A , t _p = 8/20 μs Positive pulse Any Pin to GND		8.5	12	V
Negative Clamping Voltage	V _{C2}	I _{PP} = 1A , t _p = 8/20 μs Negative pulse Any Pin to GND		1.8		V
Junction Capacitance Between Channel	C _{j1}	V _R = 0V , f = 1MHz Between I/O Pin		0.6	0.7	pF
Junction Capacitance Between I/O to GND	C _{j2}	V _R = 0V , f = 1MHz Any Pin to GND		1.2	1.4	pF



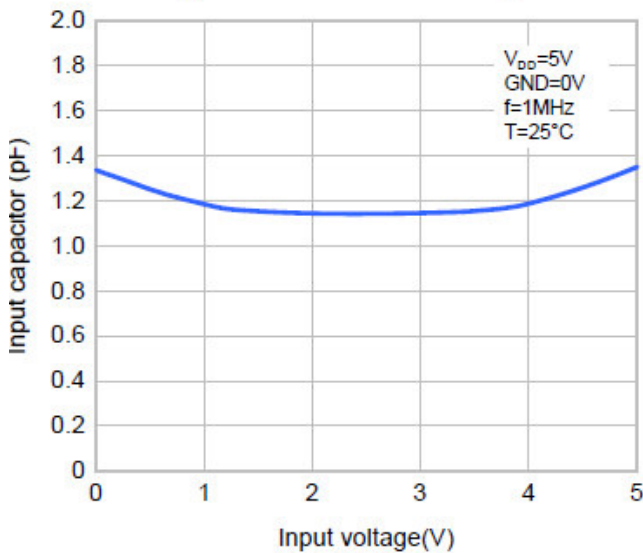
Electronics Parameter

Symbol	Parameter
V _{rwm}	Peak Reverse Working Voltage
I _r	Reverse Leakage Current @ V _{rwm}
V _{br}	Breakdown Voltage @ I _t
I _t	Test Current
I _{pp}	Maximum Reverse Peak Pulse Current
V _c	Clamping Voltage @ I _{pp}
P _{pk}	Peak Power Dissipation
C	Junction Capacitance
I _f	Forward Current
V _f	Forward Voltage @ I _f

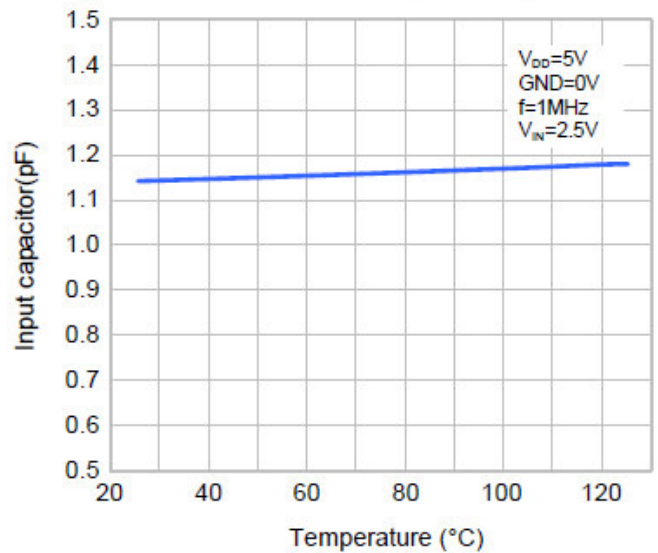


Typical Characteristics

Typical curve of C_{IN} following V_{IN}



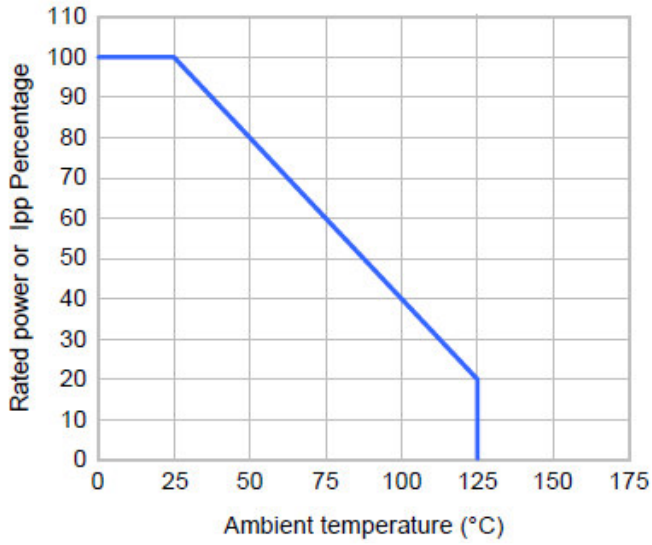
Typical curve of C_{IN} following the temperature



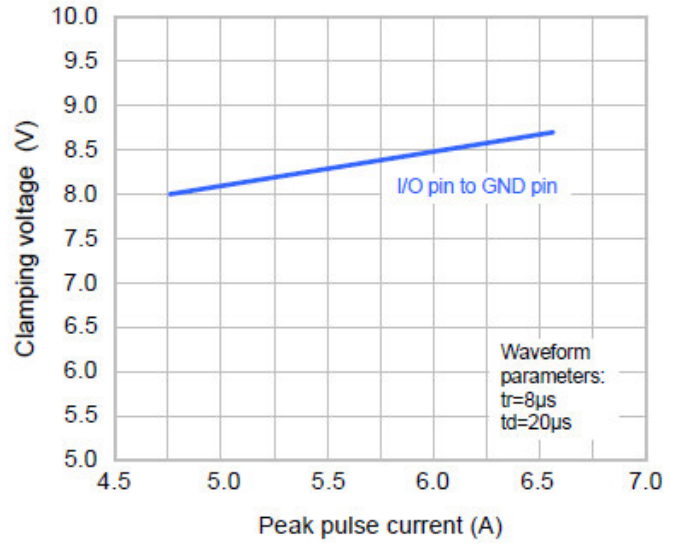


Typical Characteristics

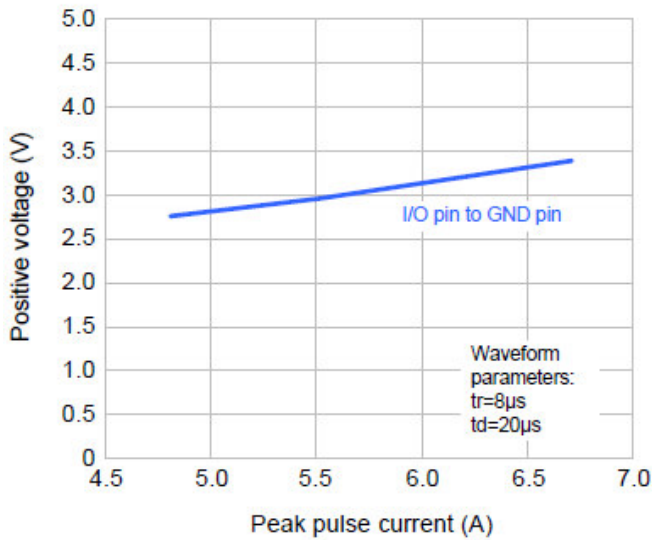
Power decline curve



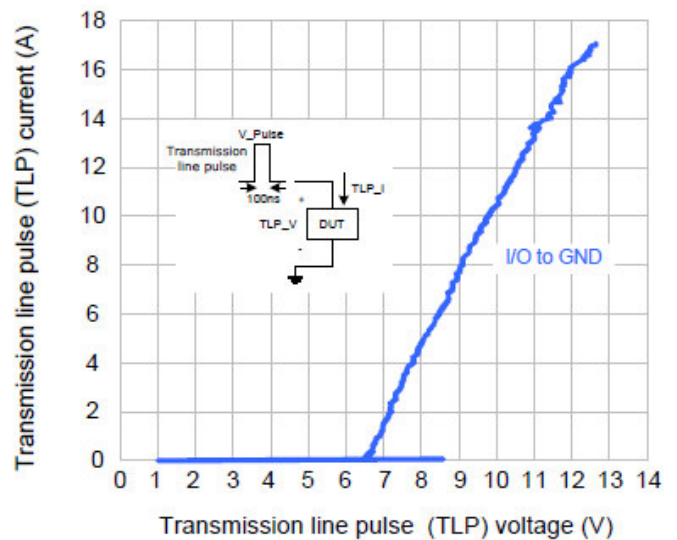
Clamping voltage vs. Peak pulse current



Positive voltage vs. Positive current

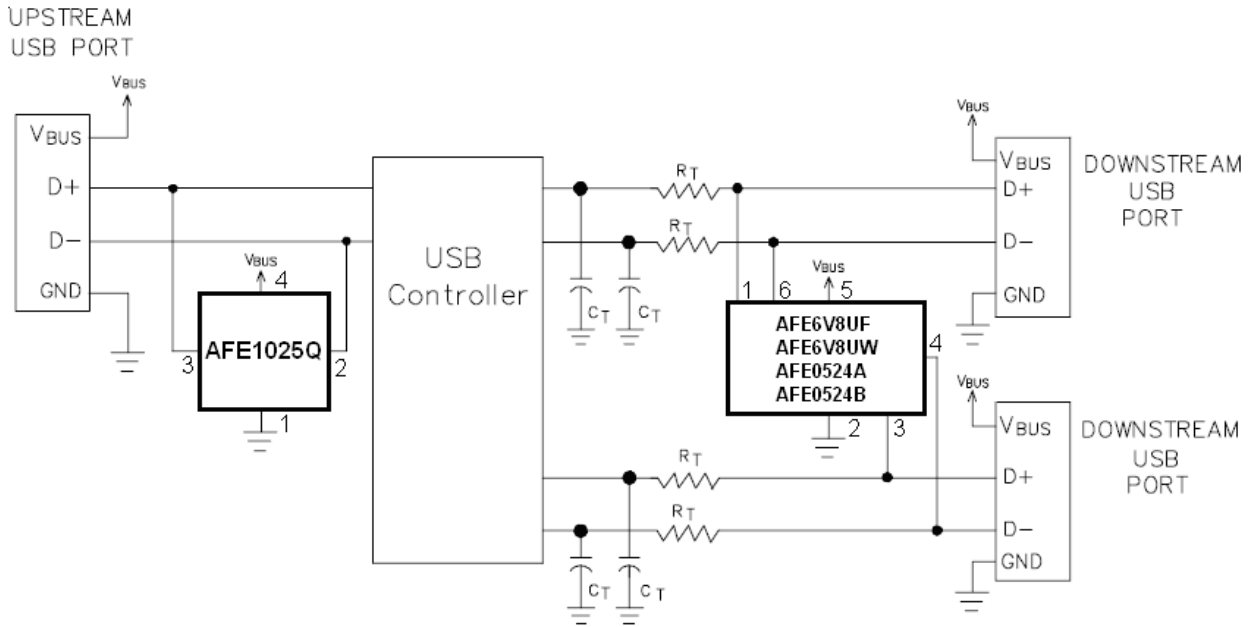


Transmission line pulse (TLP)

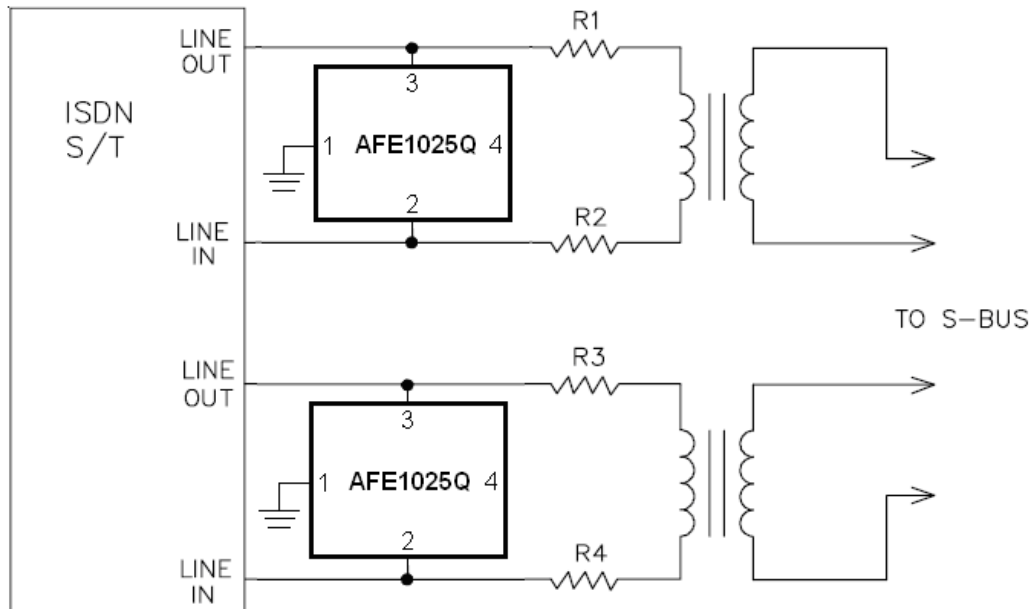




Application Information



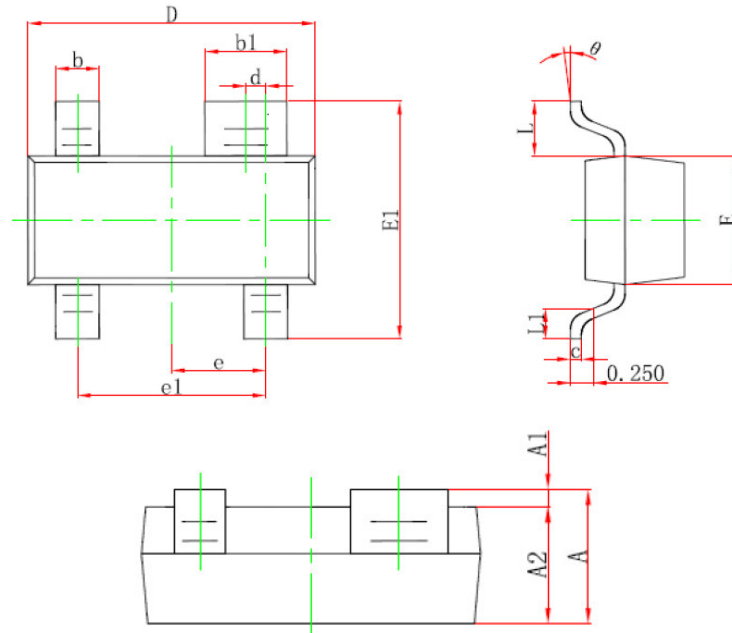
Universal Serial Bus ESD Protection



ISDN S/T Interface Protection



Package Information (SOT-143)



Symbol	Dimensions In Millimeters		Dimensions In Inches	
	Min.	Max.	Min.	Max.
A	0.900	1.150	0.035	0.045
A1	0.000	0.100	0.000	0.004
A2	0.900	1.050	0.035	0.041
b	0.300	0.500	0.012	0.020
b1	0.750	0.900	0.030	0.035
c	0.080	0.150	0.003	0.006
D	2.800	3.000	0.110	0.118
d	0.200 TYP.		0.008 TYP.	
E	1.200	1.400	0.047	0.055
E1	2.250	2.550	0.089	0.100
e	0.950 TYP.		0.037 TYP.	
e1	1.800	2.000	0.071	0.079
L	0.550 REF.		0.022 REF.	
L1	0.300	0.500	0.012	0.020
θ	0°	8°	0°	8°

©2010 Alfa-MOS Technology Corp.
 2F, No.80, Sec.1, Cheng Kung Rd., Nan Kang Dist., Taipei City 115, Taiwan (R.O.C.)
 Tel : 886 2) 2651 3928
 Fax : 886 2) 2786 8483
 ©http://www.alfa-mos.com