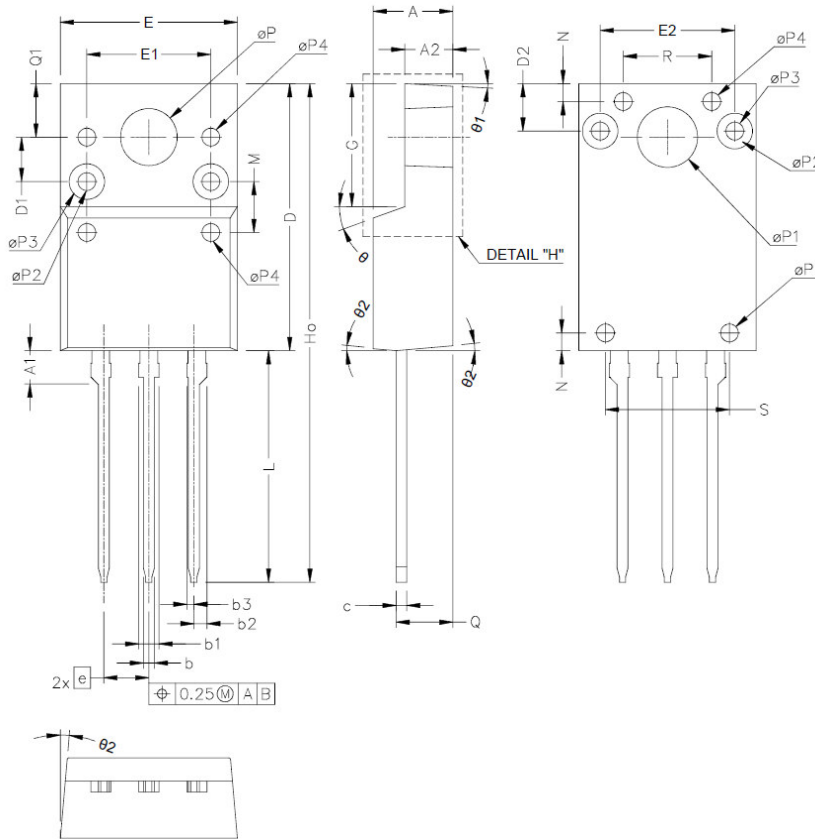




Package Information (TO-220F-3L)



SYMBOL	MIN	NOM	MAX	SYMBOL	MIN	NOM	MAX
A	4.30	4.50	4.70	M		(2.86)	
A1	1.80		2.10	N		(1.00)	
A2	2.50	2.70	2.90	ϕP	3.05		3.40
b	0.54	0.69	0.84	$\phi P1$		(3.40)	
b1	0.99	1.14	1.29	$\phi P2$		(1.00)	
b2	0.565	0.745	0.925	$\phi P3$		(2.00)	
b3	0.245	0.395	0.545	$\phi P4$		(1.00)	
c	0.49	0.60	0.79	Q	3.10	3.20	3.30
D	14.70	15.00	15.30	Q1	2.70	3.00	3.30
D1		(2.50)		R		(5.00)	
D2		(2.66)		S		(7.00)	
e	2.29		2.79	θ		(20°)	
E	9.70	10.00	10.30	θ_1		(3°)	
E1		(7.00)		θ_2		(5°)	
E2		(7.60)					
G	6.70	6.90	7.10				
Ho		(28.00)					
L	12.50	13.00	13.50				

©2010 Alfa-MOS Technology Corp.
 2F, No.80, Sec.1, Cheng Kung Rd., Nan Kang Dist., Taipei City 115, Taiwan (R.O.C.)
 Tel : 886 2) 2651 3928
 Fax : 886 2) 2786 8483
 ©http://www.alfa-mos.com